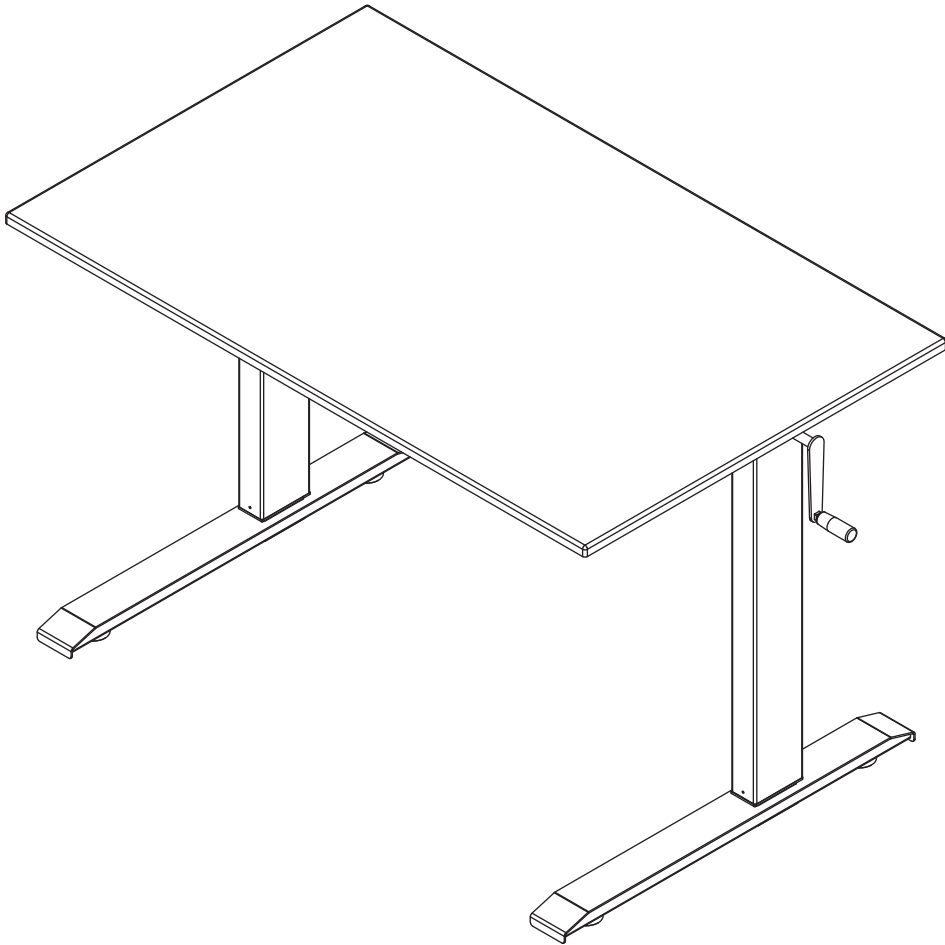


# LUXOR



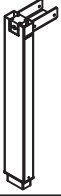

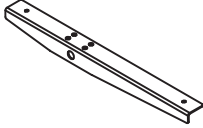
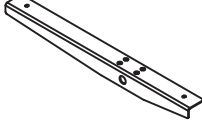
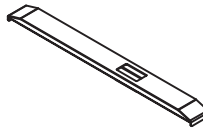
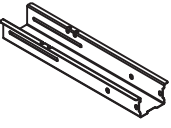
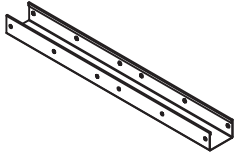
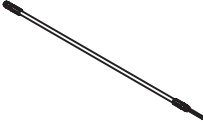
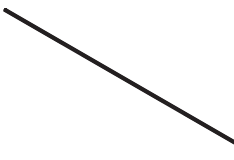
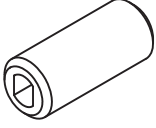

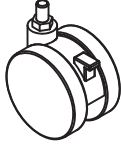

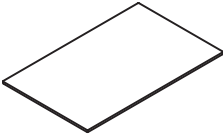
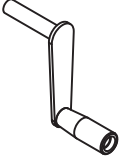
Questions or concerns?  
Contact us directly!








1-800-323-4656  
Info@LuxorFurn.com

## High Speed Crank Desk

# PARTS INCLUDED NOT TO SCALE

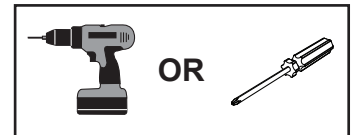
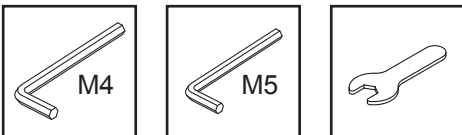
<b>A</b> QTY: 1 	<b>B</b> QTY: 1 	<b>C</b> QTY: 1 	<b>D</b> QTY: 1 	<b>E</b> QTY: 2 
<b>F</b> QTY: 2 	<b>G</b> QTY: 1 	<b>H</b> QTY: 1 	<b>I</b> QTY: 1 	<b>J</b> QTY: 2 
<b>K</b> QTY: 4 	<b>L</b> QTY: 2 	<b>M</b> QTY: 2 	<b>N</b> QTY: 1*  <b>Ships separate box</b>	<b>O</b> QTY: 1 

# HARDWARE INCLUDED NOT TO SCALE, COLOR MAY VARY

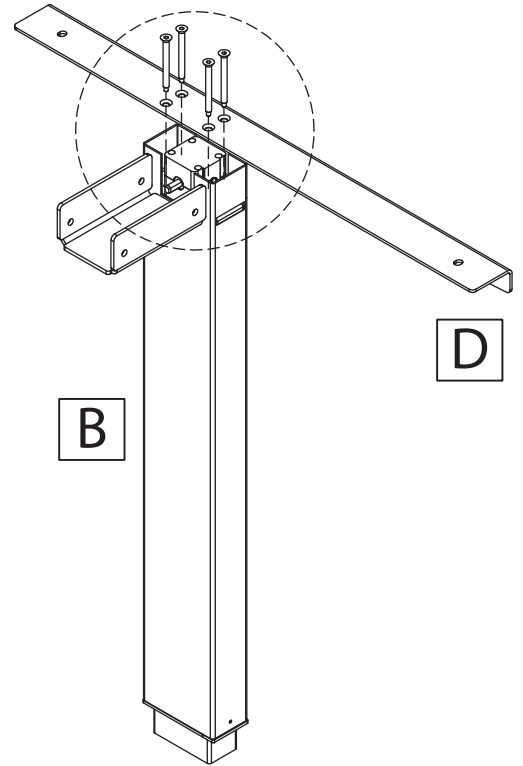
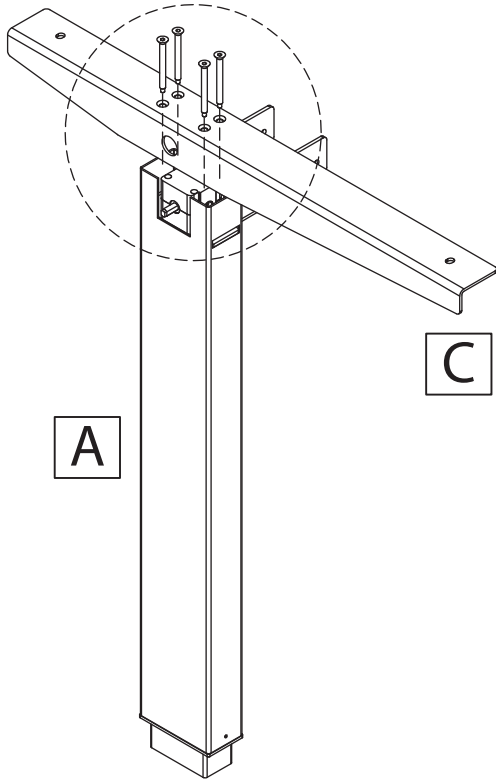
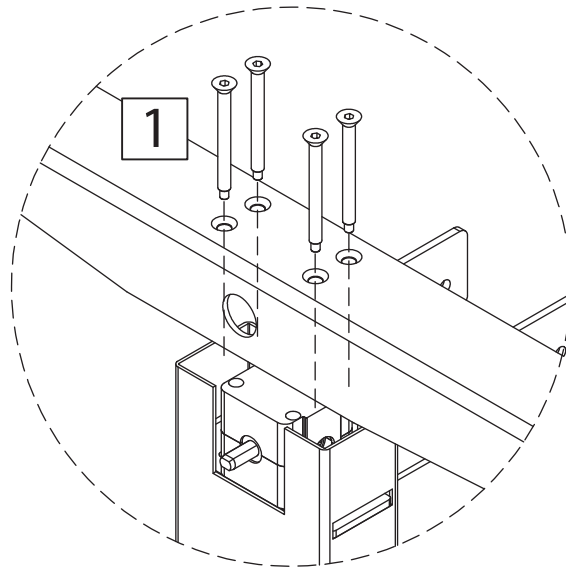
<b>1</b> QTY: 8 M6-65 	<b>2</b> QTY: 6 M8-20 	<b>3</b> QTY: 6 	<b>4</b> QTY: 22 M6-12 	<b>5</b> QTY: 10 M8-15 
---	---	--	--	---

# TOOLS INCLUDED

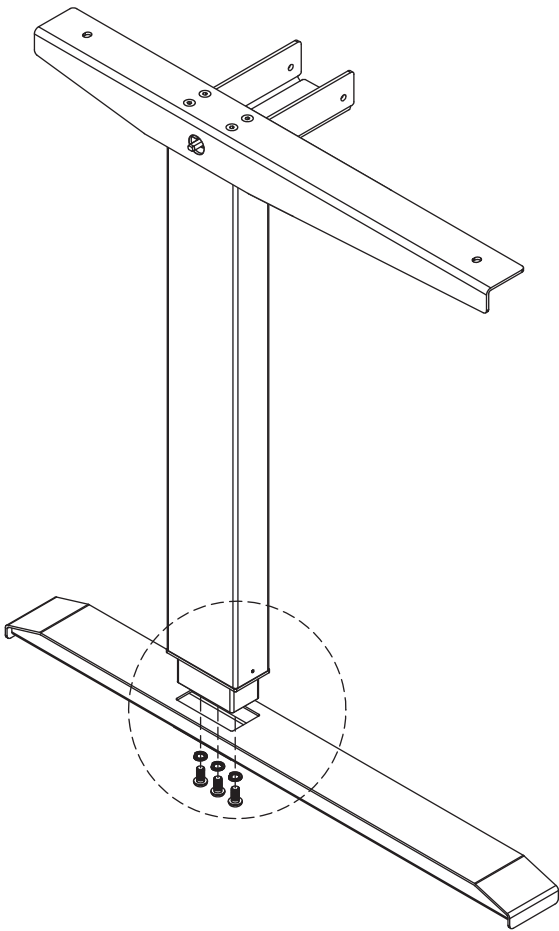
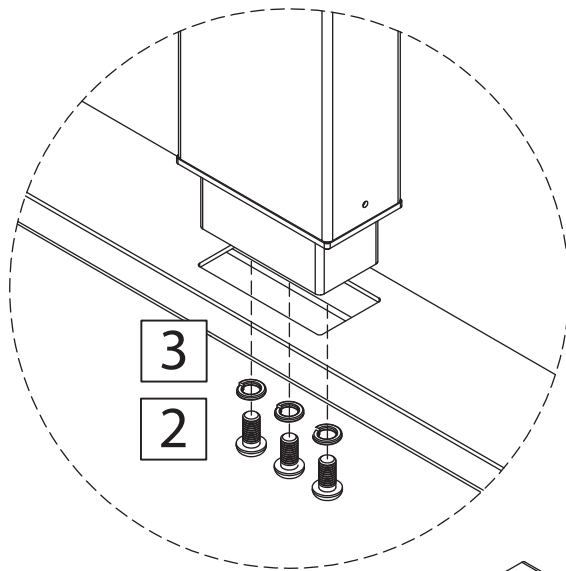
# TOOLS REQUIRED



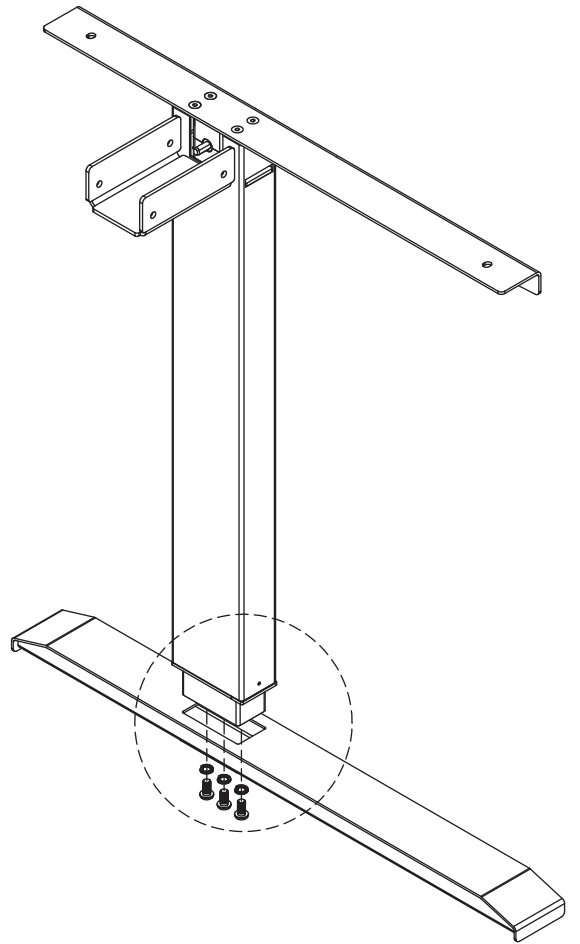
1



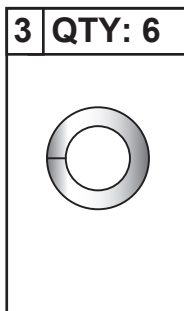
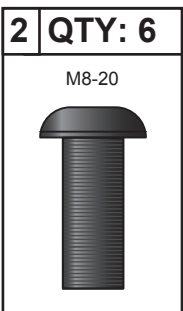
2



E

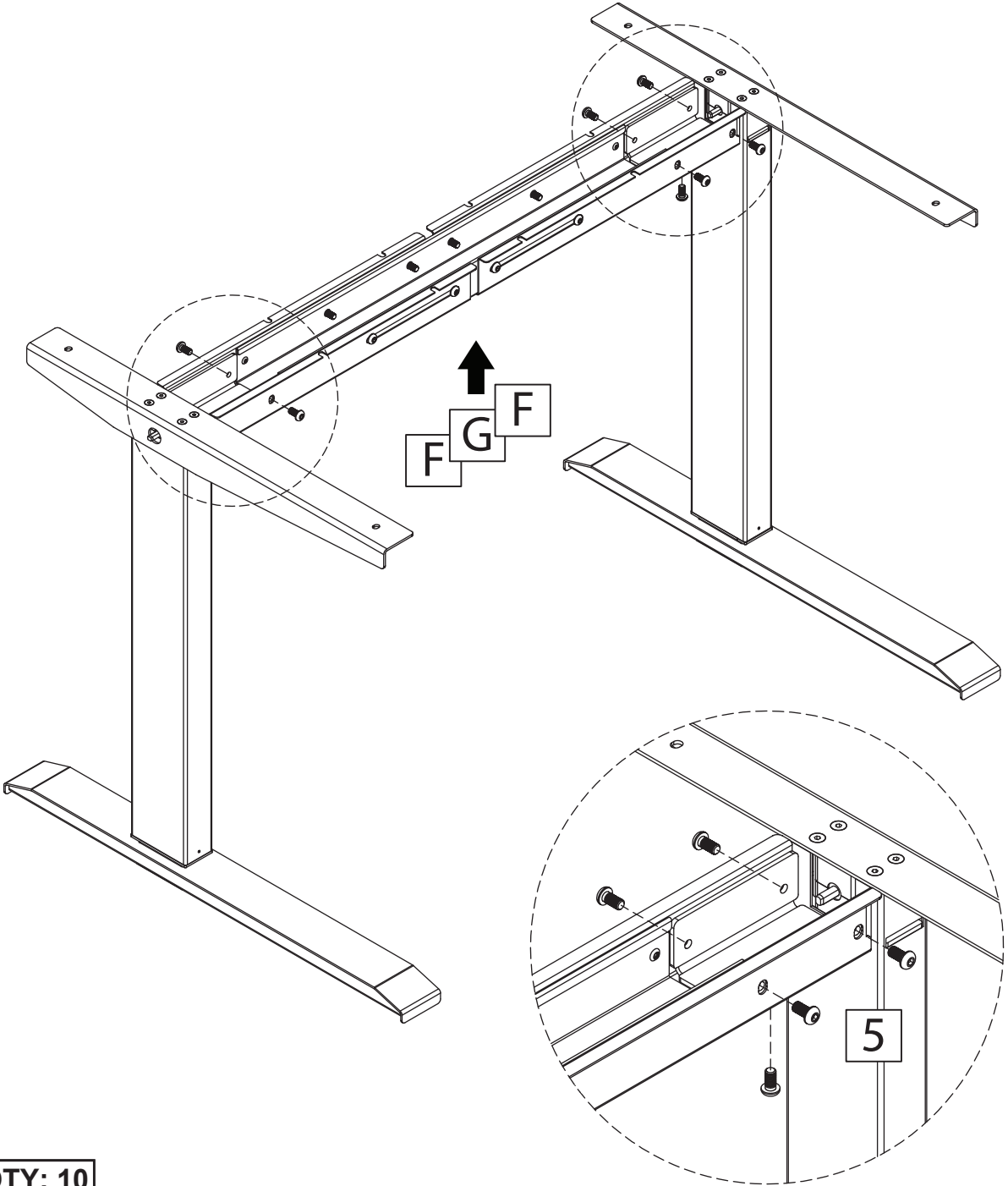


E





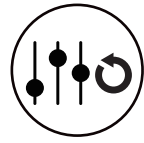
4



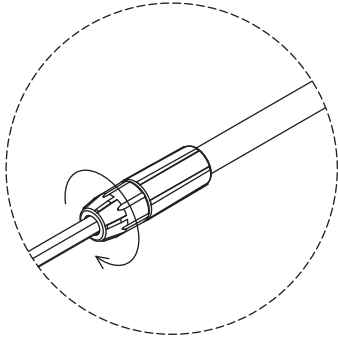
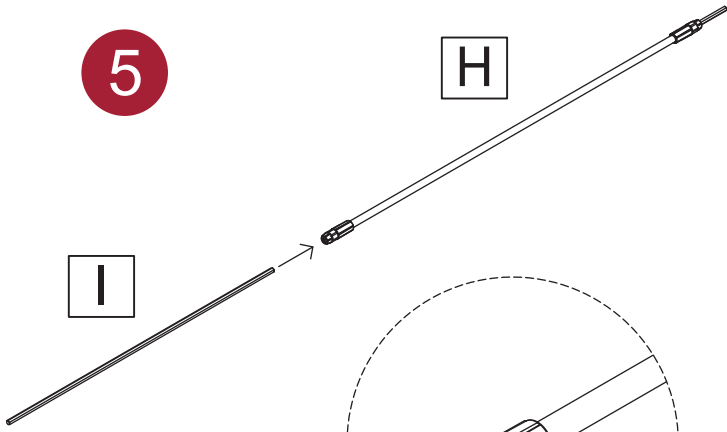
5	QTY: 10
M8-15	

5

H

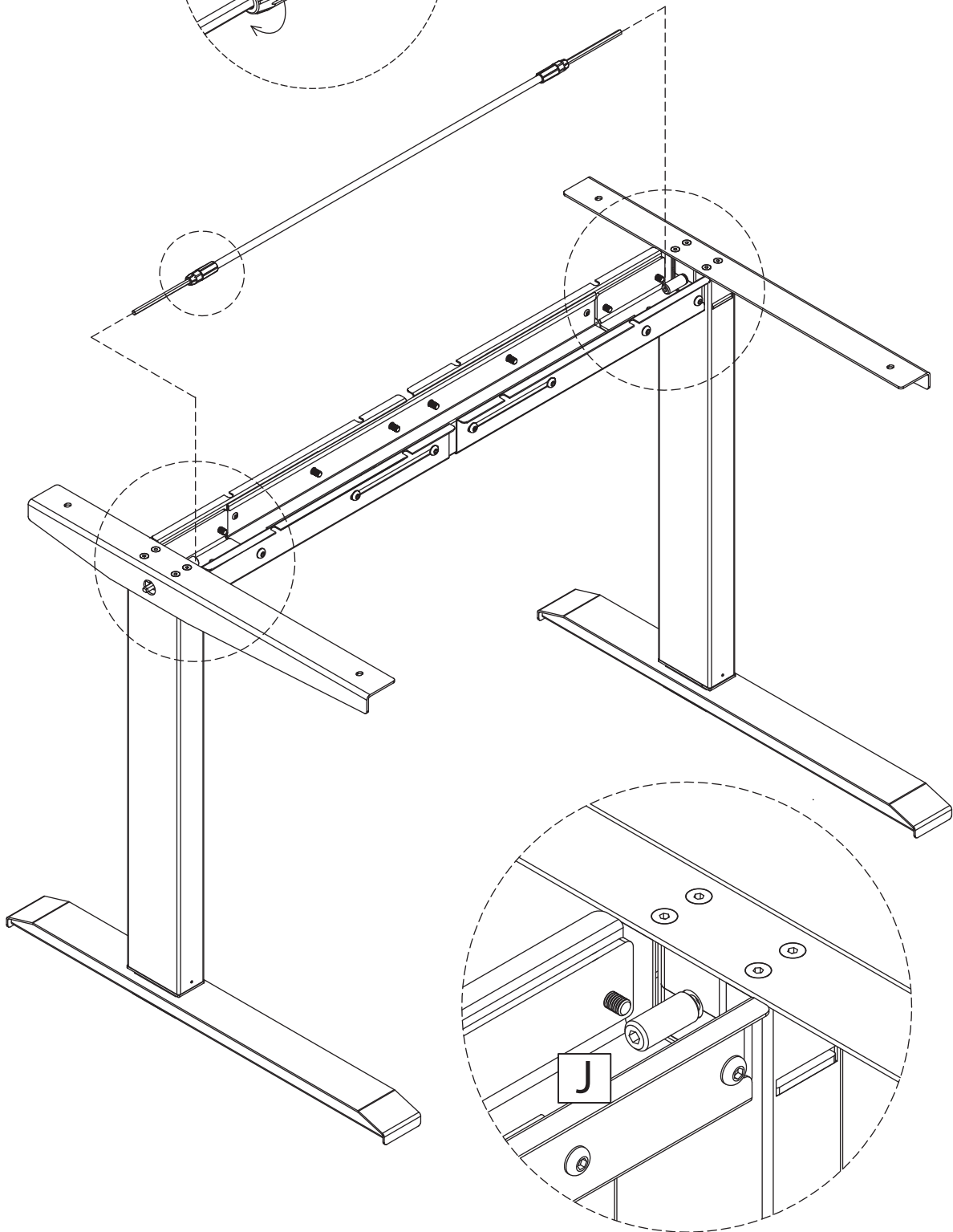


I

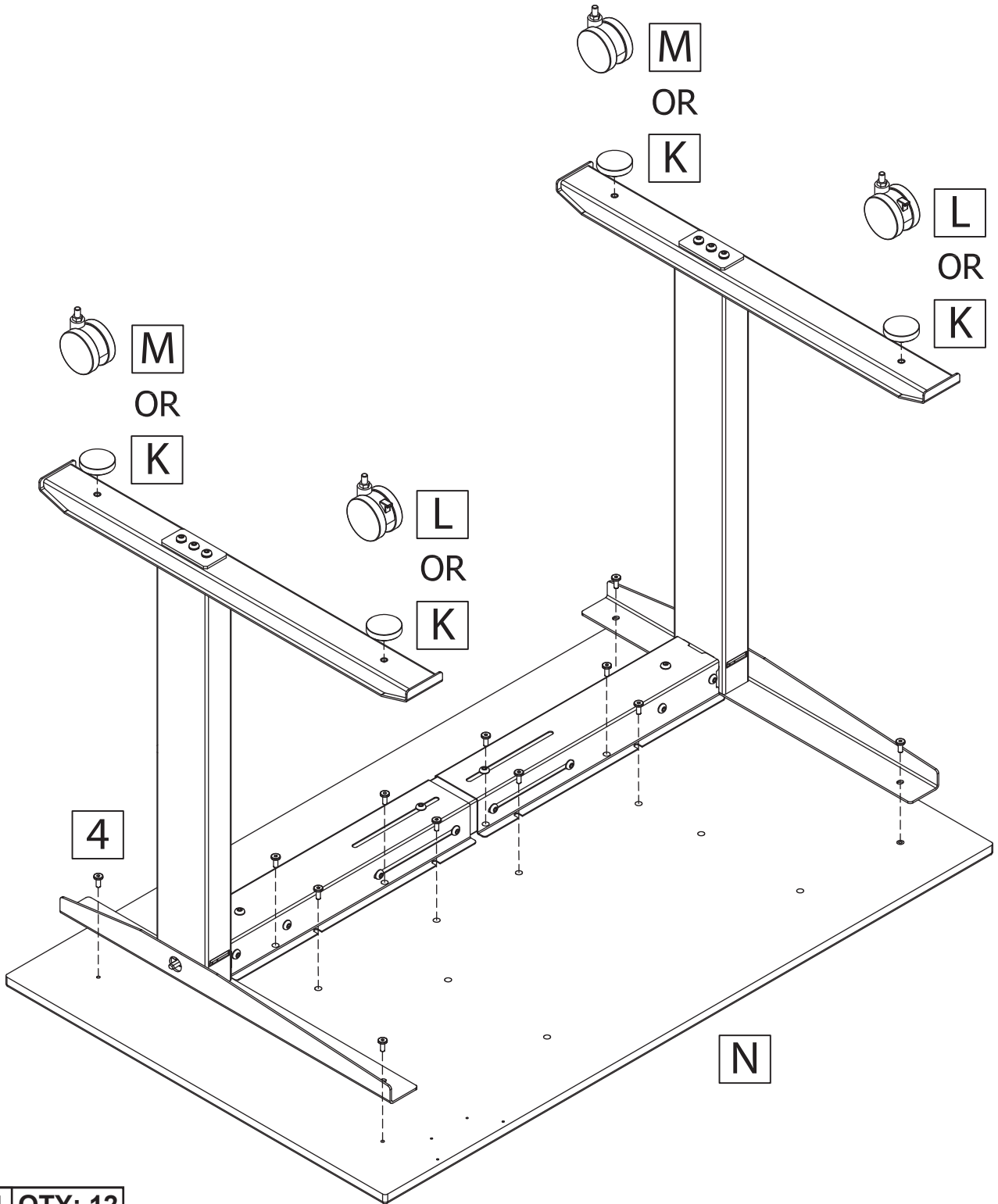


**IF MISALIGNED:**

1. Insert crank.
2. Turn crank to raise desk.
3. Raise desk until hexrod is aligned with socket.

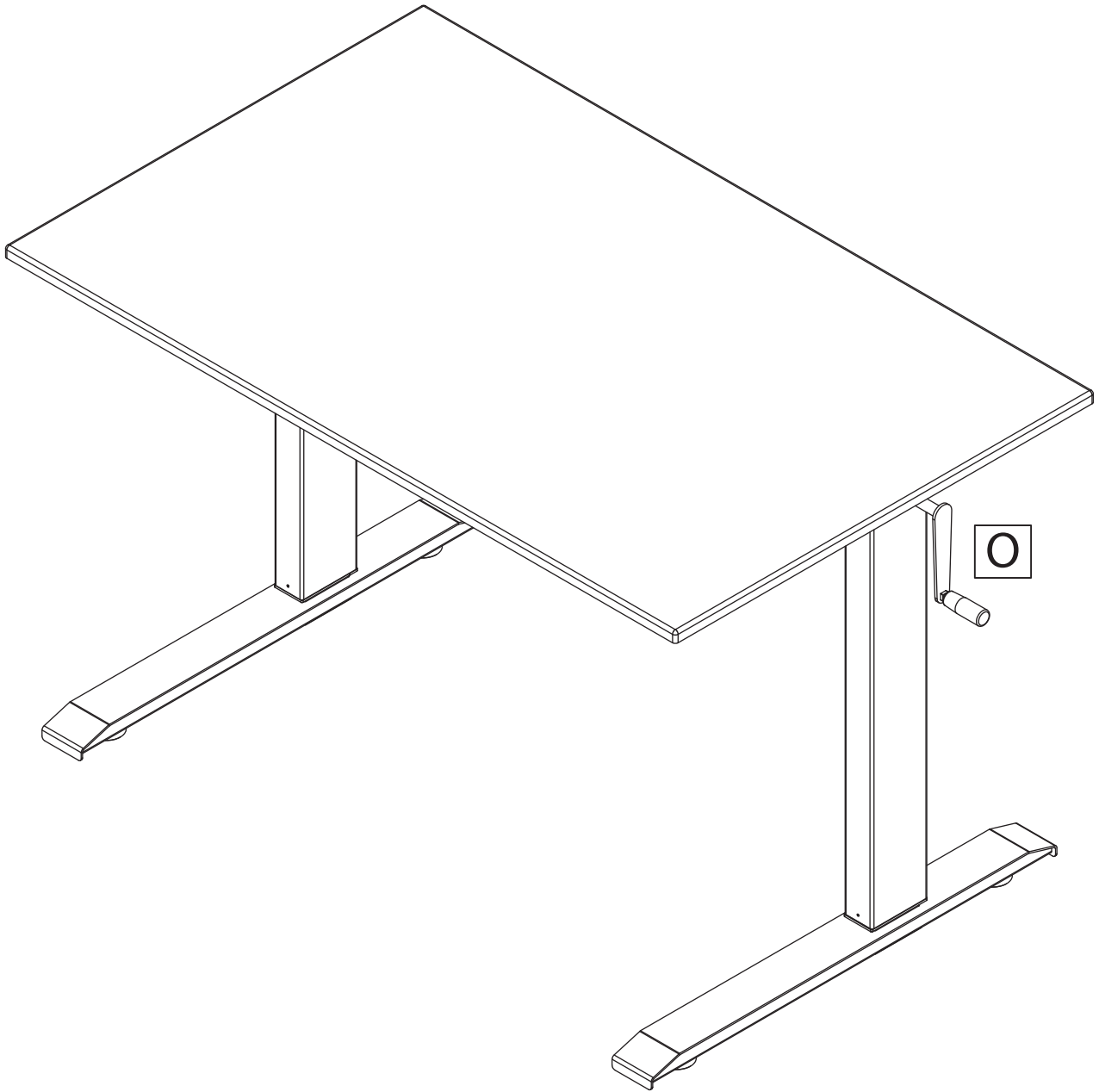


6

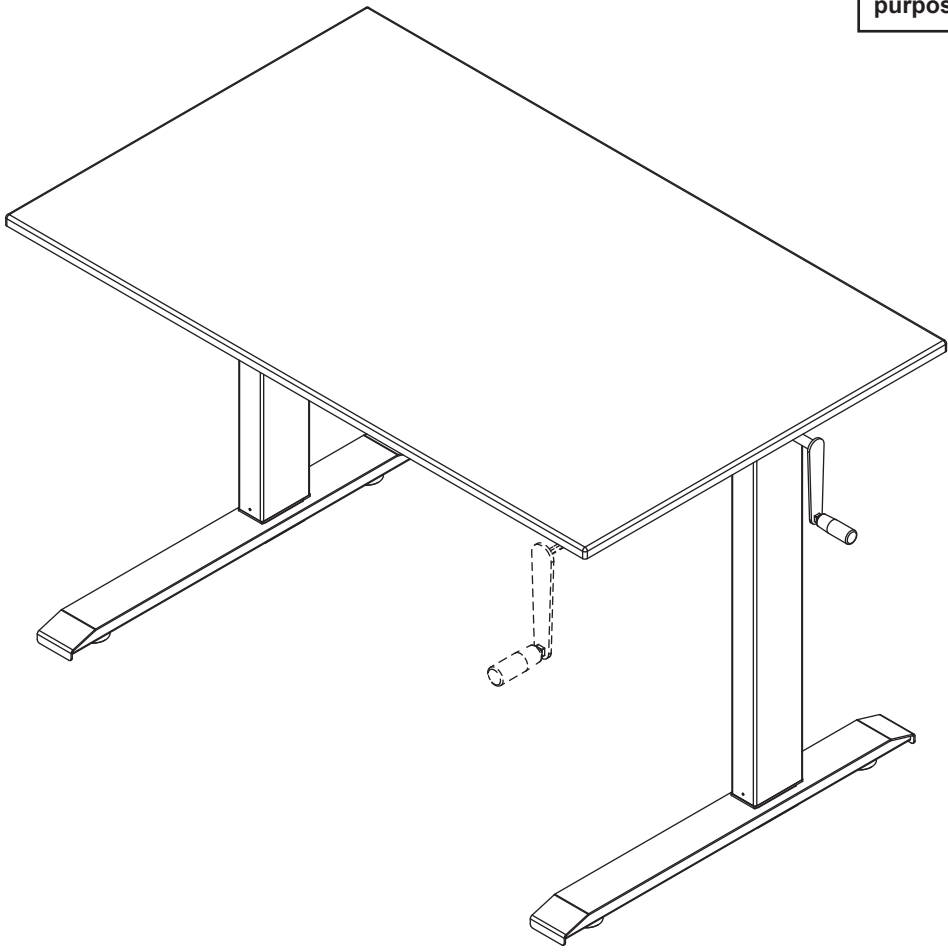


4	QTY: 12
M6-12	

7



Includes one crank. Second crank shown for visualization purposes only.



# High Speed Dual-Point Crank Desk

# PARTS INCLUDED

NOT TO SCALE

<b>A</b> QTY: 1	<b>B</b> QTY: 1	<b>C</b> QTY: 1	<b>D</b> QTY: 1	<b>E</b> QTY: 2
<b>F</b> QTY: 2	<b>G</b> QTY: 1	<b>H</b> QTY: 1	<b>I</b> QTY: 1	<b>J</b> QTY: 4
<b>K</b> QTY: 2	<b>L</b> QTY: 2	<b>M</b> QTY: 1*	<b>N</b> QTY: 1	<b>O</b> QTY: 1
		Ships separate box		

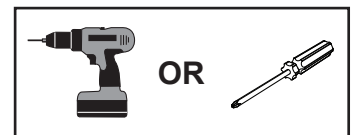
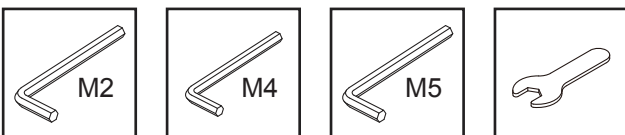
# HARDWARE INCLUDED

NOT TO SCALE, COLOR MAY VARY

<b>1</b> QTY: 8	<b>2</b> QTY: 6	<b>3</b> QTY: 6	<b>4</b> QTY: 22	<b>5</b> QTY: 10	<b>6</b> QTY: 1
M6-65 	M8-20 		M6-12 	M8-15 	M4-6 

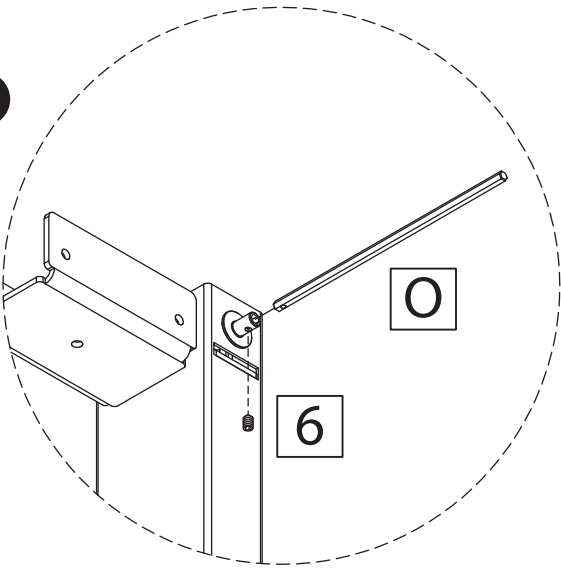
# TOOLS INCLUDED

# TOOLS REQUIRED

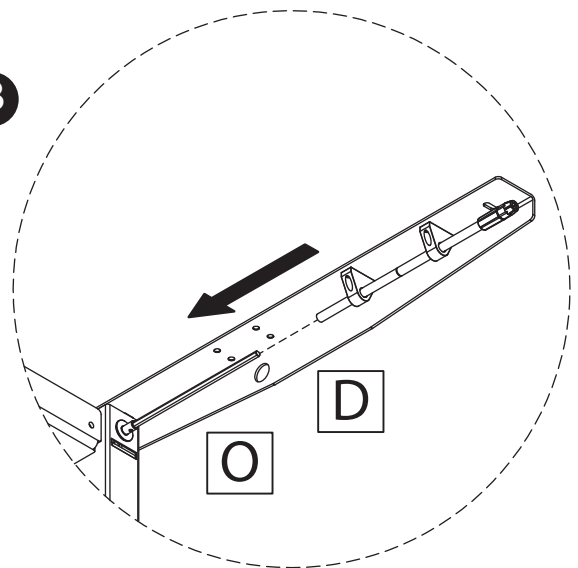


1

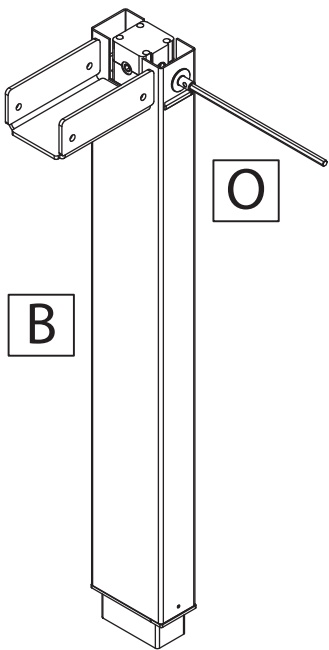
A



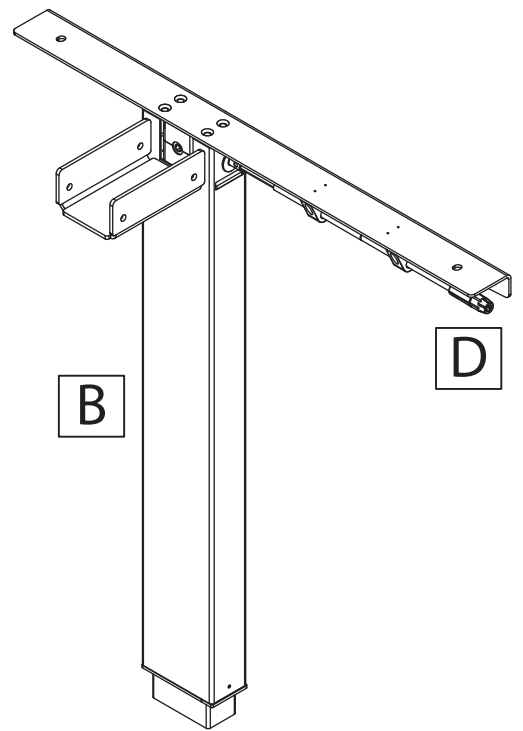
B




A

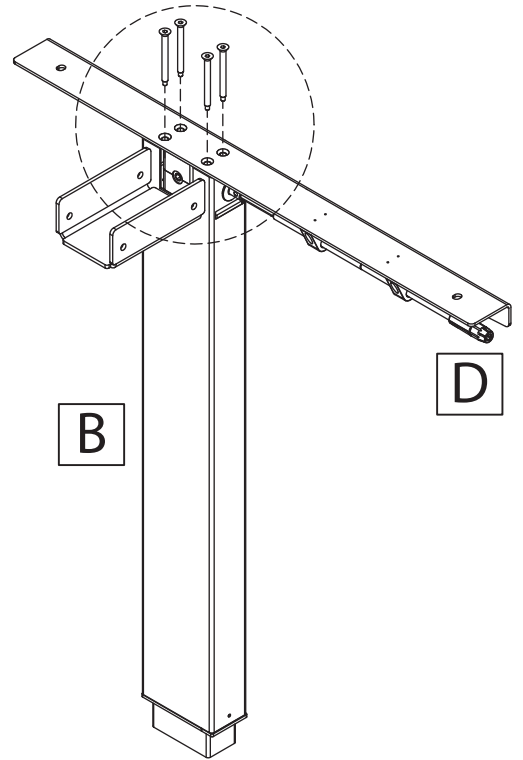
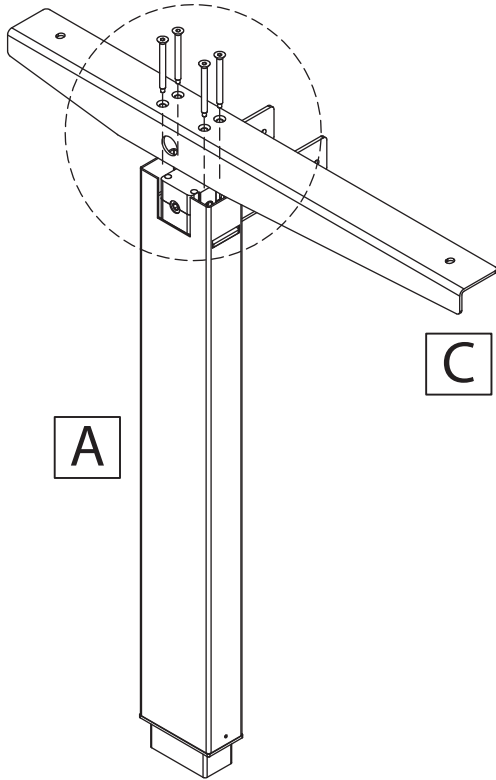
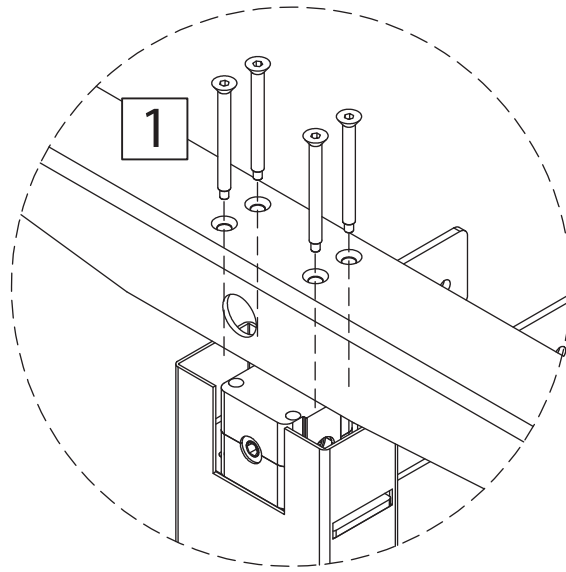


B



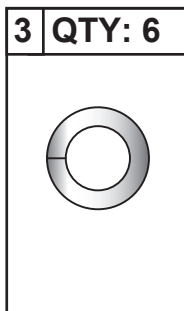
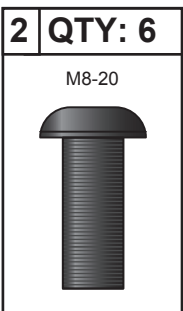
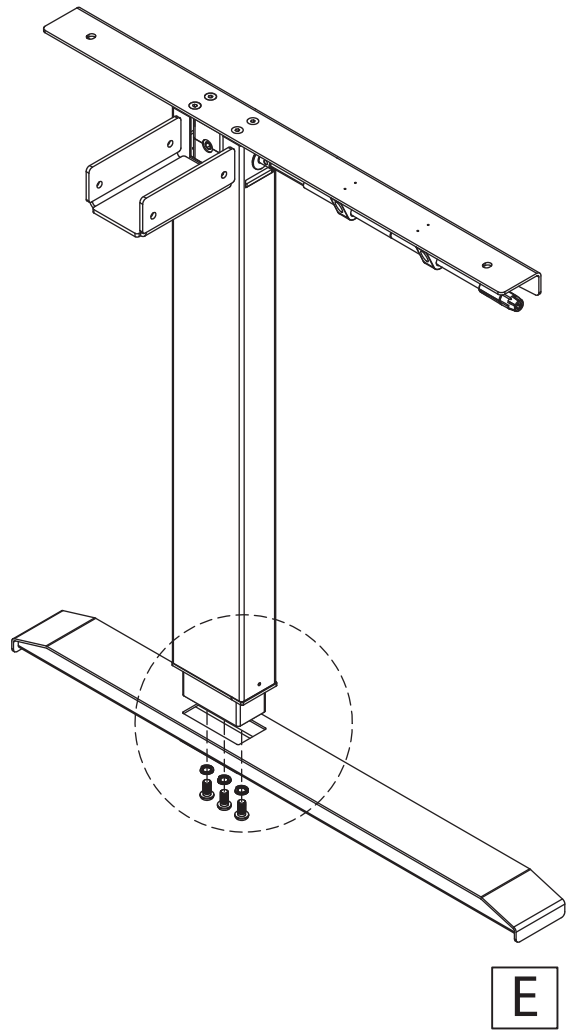
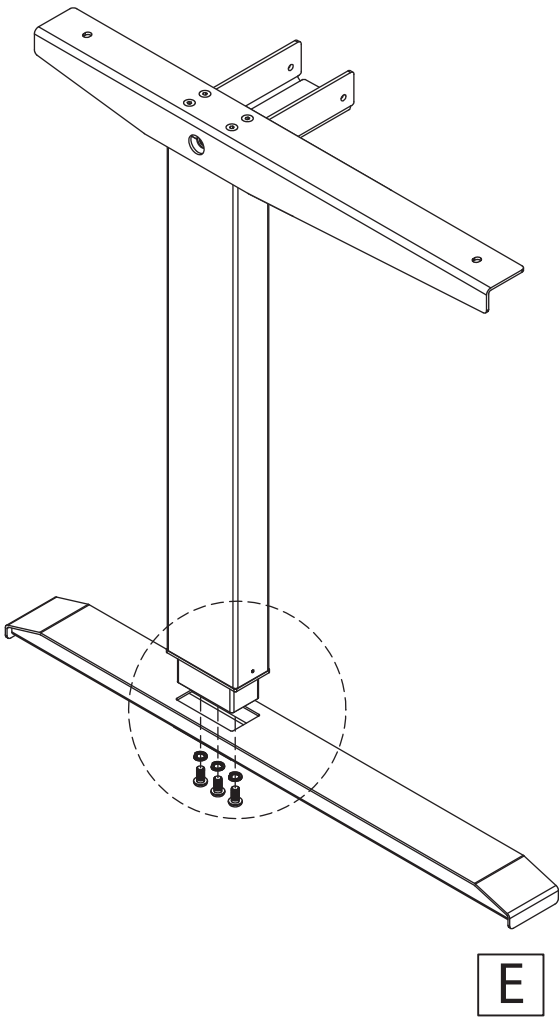
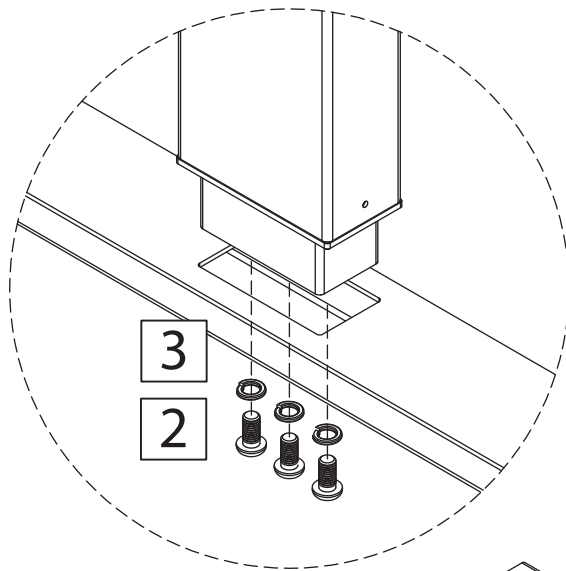
6	QTY: 1
M4-6	
	

2

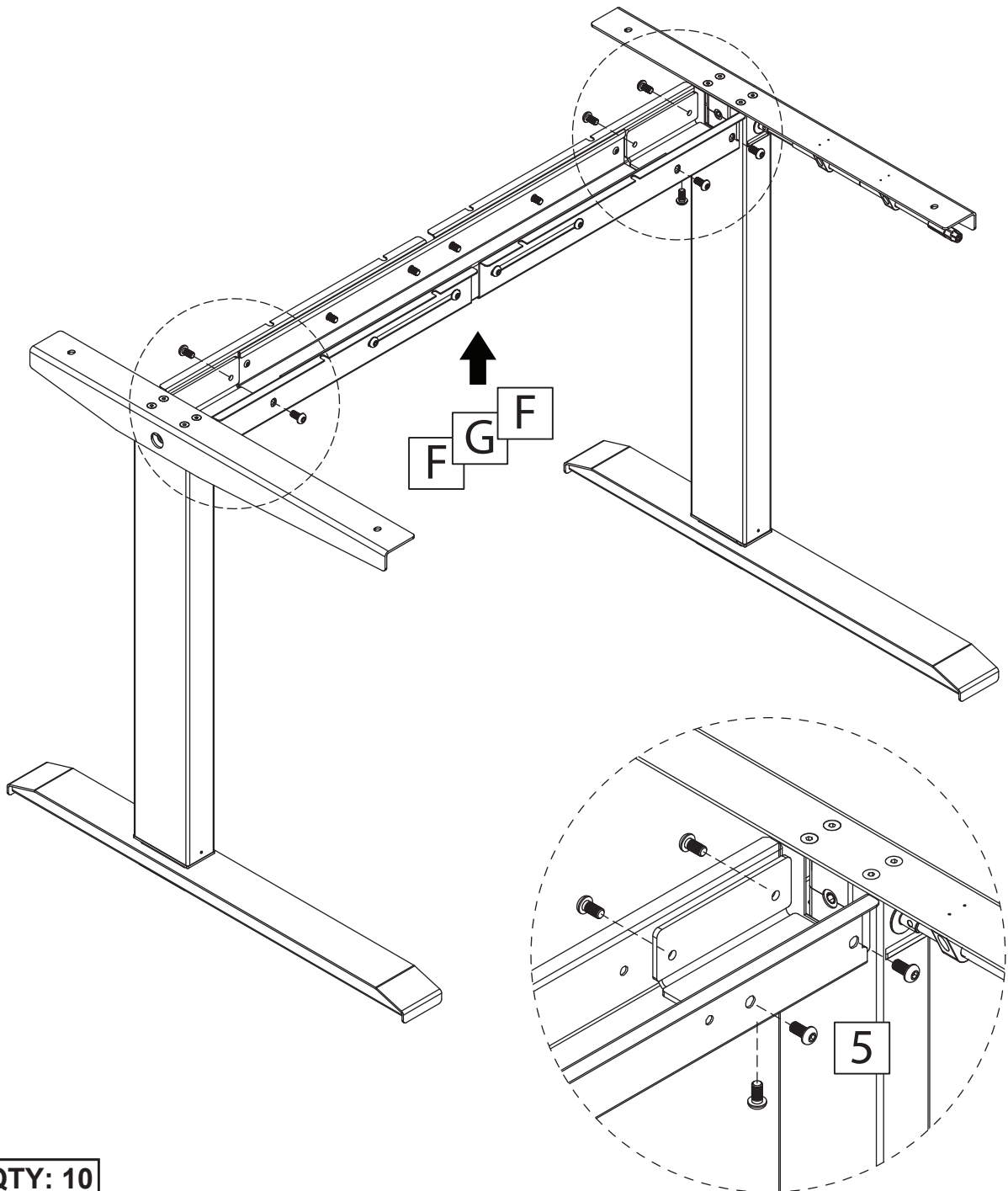




3

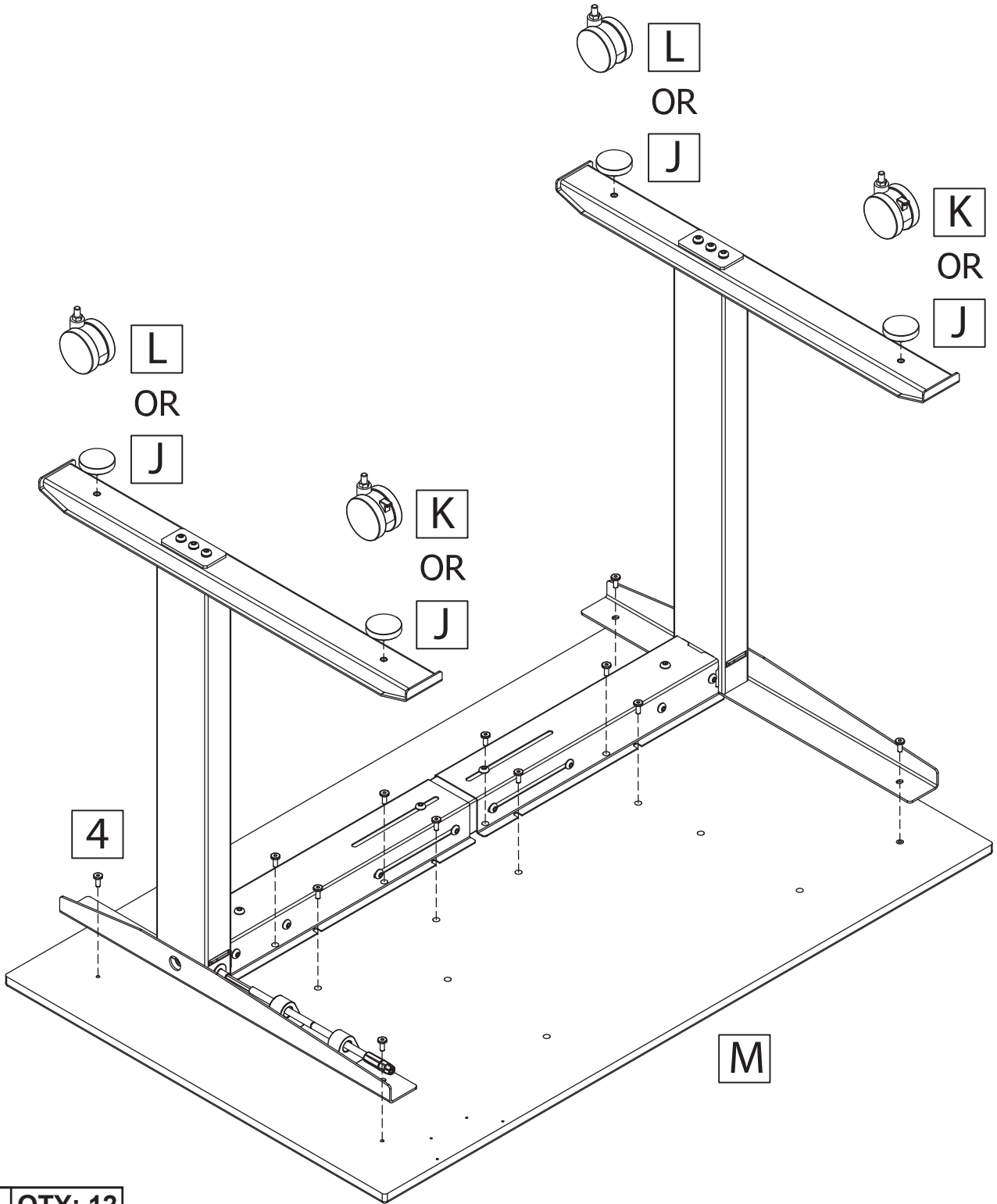


5



5	QTY: 10
M8-15	

7



4	QTY: 12
M6-12	

8



Includes one crank. Second crank shown for visualization purposes only.

