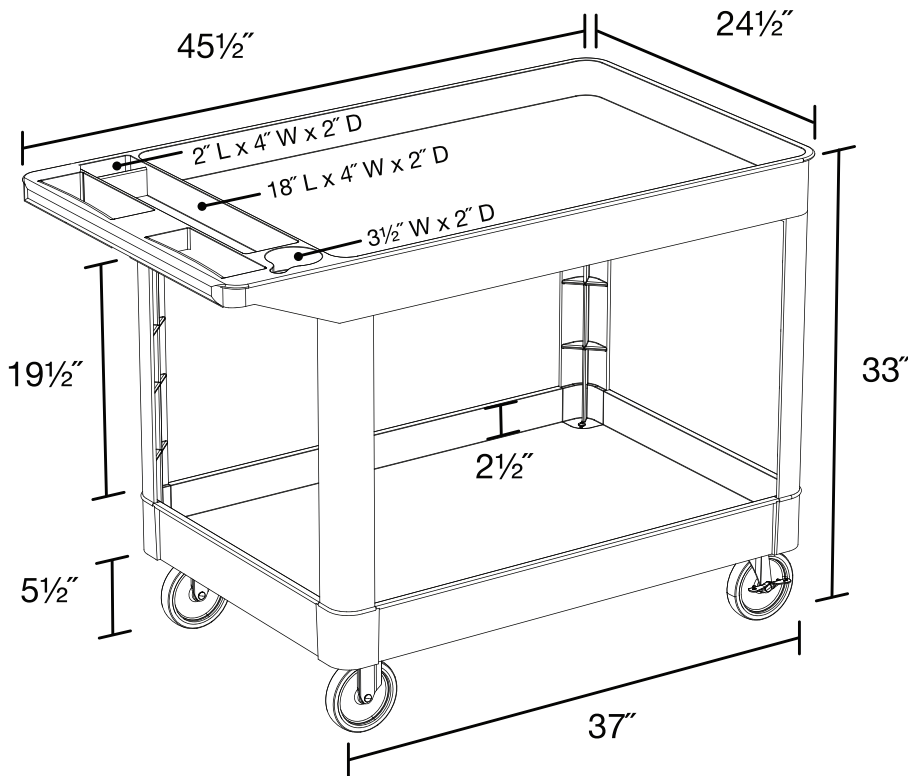


XLC11 TWO-SHELF HEAVY-DUTY UTILITY CART

Product Specifications:

Item Number	XLC11-B
Shelf and Leg Material	High-density polyethylene (HDPE or PEHD)
Dimensions	24.5" W x 45.5" L x 33"– 36" H (height varies by caster size)
Shelf Dimensions	2.5" D x 37" L x 24.5" W 22" of space between top and bottom shelves
Weight Capacity	500 lbs.
Casters	Four options: <ul style="list-style-type: none"> •5" heavy-duty •5" semi-pneumatic •6" semi-pneumatic •8" fully-pneumatic (All options except the 8" are Non-Marking Casters)
Box Size	25" W x 45" D x 8" H
Actual Weight	37.8 lbs.
Shipping Weight	46 lbs.
Shipping Method	UPS
Assembly Required	Yes

To Order, Call Your
Sales Representative
or 800-323-4656



Reinforced ribbing is molded into both shelves for extra strength.