

CLASS BOARDS



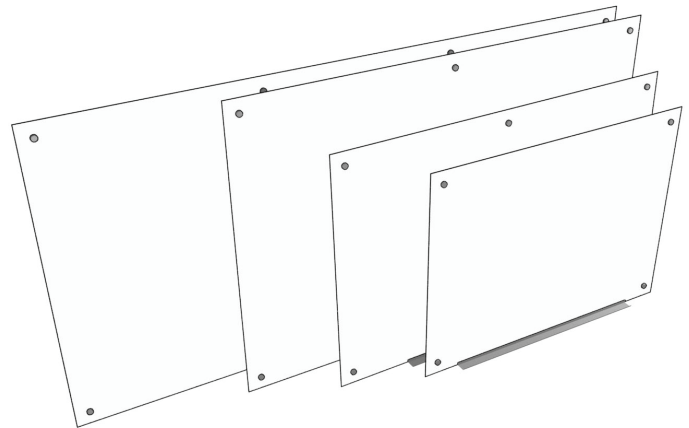
WALL-MOUNTED MAGNETIC GLASS MARKER BOARDS

WGB4836M | WGB6040M | WGB7248M | WGB9648

Luxor's glass dry-erase boards are the perfect solution for collaborative work environments that require durability while presenting a modern appearance. Available in four sizes, these frameless glass boards allow wet/dry-erase markers to glide effortlessly across the surface while their magnetic quality permits papers to be hung directly on the board. Made of sturdy tempered glass, the surface resists stains and ghosting while a marker tray and stainless steel mounting pucks present a contemporary look that's ideal for any office, conference room, training center, or classroom. Luxor's Wall-Mounted Glass Magnetic Marker Boards are easy to install and are packaged with supportive materials that are highly resistant to damage during shipping.

Features:

- Available in four sizes: 48" x 36", 60" x 40", 72" x 48", 96" x 48"
- Durable tempered glass surface resists stains and ghosting
- Magnetic surface allows for hanging of papers and more
- Includes marker tray, stainless steel mounting pucks, 1 dry erase marker, 1 eraser, and 2 magnets
- Requires rare-earth magnets
- Meets ISTA 3A Packaging Standards



96" x 48"

Glass thickness: 13/64" (5mm)

72" x 48"

Glass thickness: 5/32" (4mm)

60" x 40"

Glass thickness: 5/32" (4mm)

48" x 36"

Glass thickness: 5/32" (4mm)

2245 Delany Road, Waukegan, IL 60087

800-323-4656 | Fax 847-244-1818 | www.LuxorFurn.com

LUXOR

INNOVATIVE WORKSPACE PRODUCT SOLUTIONS