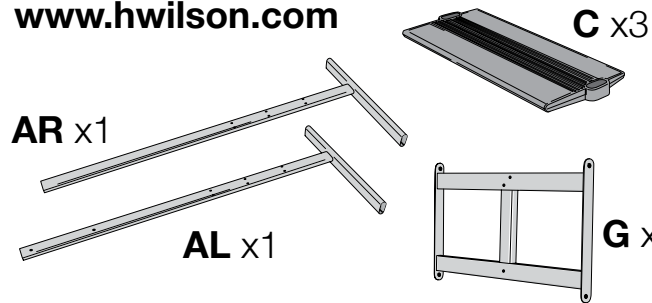


Parts List



Tools Required

- Wrench
- Marker

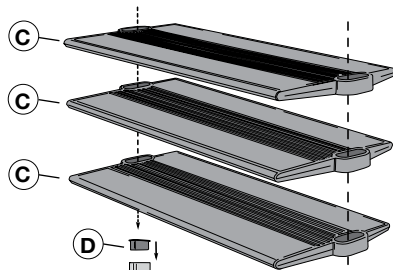
L2 x1

L1 x1

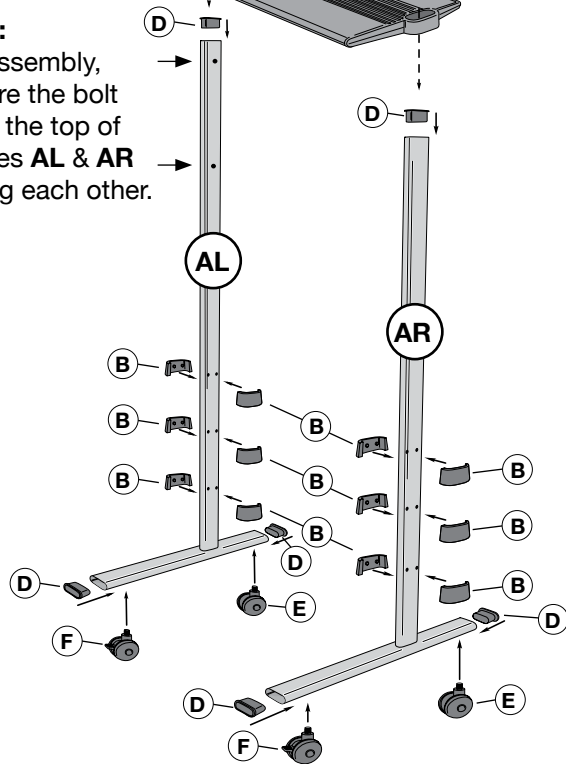


N x2
Adhere to side of the unit for cable management

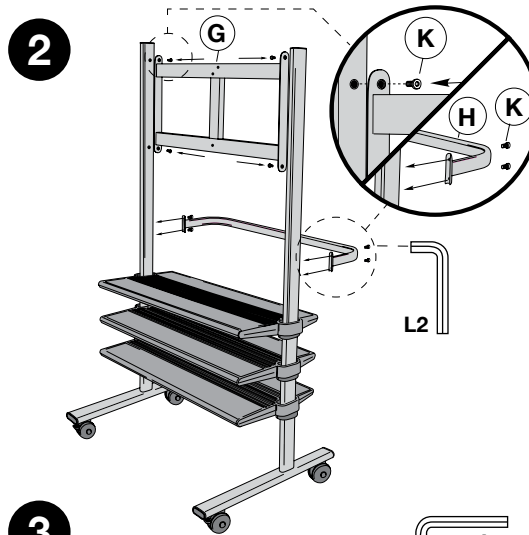
1



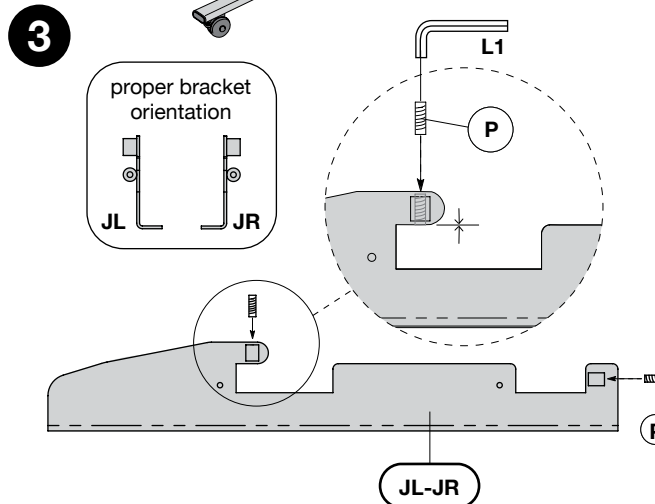
NOTICE:
Before assembly, make sure the bolt holes on the top of the frames AL & AR are facing each other.



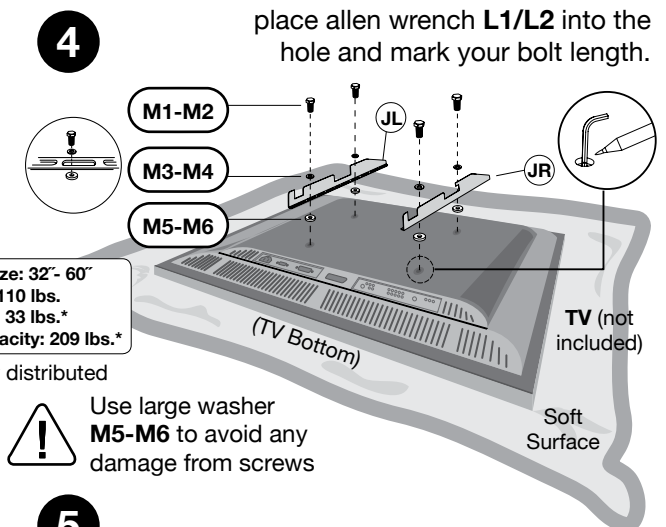
2



3



4



place allen wrench L1/L2 into the hole and mark your bolt length.

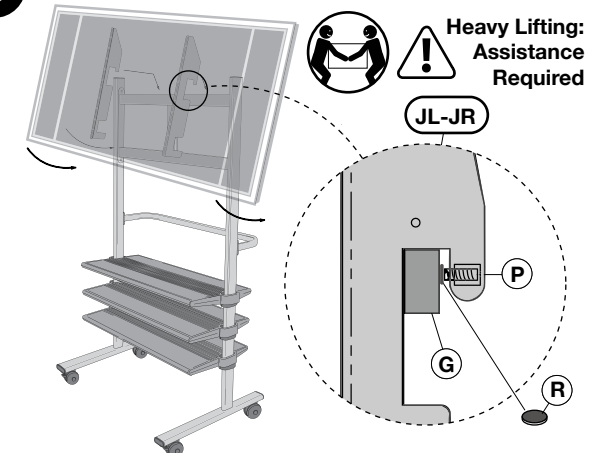
Screen Size: 32" - 60"
Max. TV: 110 lbs.
Per Shelf: 33 lbs.*
Total Capacity: 209 lbs.*

*evenly distributed



Use large washer M5-M6 to avoid any damage from screws

5



Heavy Lifting: Assistance Required

TV (not included)
Soft Surface