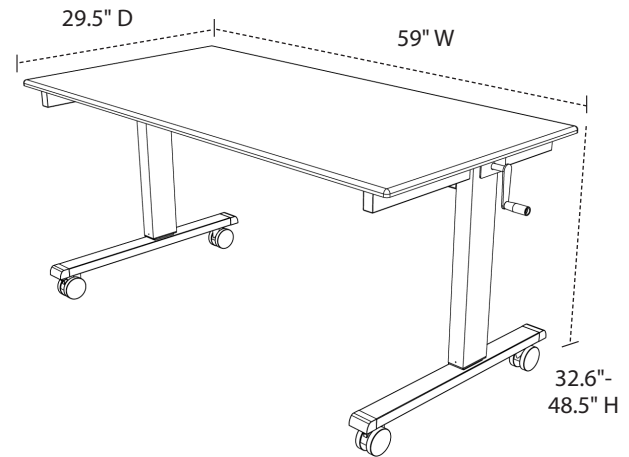


STANDUP-CF60-DW

60" HIGH SPEED CRANK ADJUSTABLE STAND UP DESK

Product Specifications

| | |
|----------------------------|---|
| Item Number | STANDUP-CF60-DW |
| Desktop Color | Dark Walnut |
| Frame Color | Silver |
| Table Material | Melamine with PDF/PVC edge film |
| Frame | Powder-Coated Steel |
| Crank Type/Mechanism | High Speed Crank |
| Crank Speed | ~33 cranks from low to high |
| Full Dimensions w/Casters | 59" W x 29.5" D x 32.6" - 48.5" H |
| Full Dimensions w/Glides | 59" W x 29.5" D x 29.6" - 45.4" H |
| Table Dimensions | 59" W x 29.5" D x 0.625" H |
| Adjustable Height Range | Between 26" - 51.6" H |
| Speed | 1.2" per second |
| Anti-collision Technology | Yes |
| Stage of Each Leg | 3 Stage |
| Actual Weight | 90 lbs. |
| Weight Capacity | 154 lbs. |
| Lift Capacity | 154 lbs. |
| Glides | Furniture Glides |
| Casters | 3" Casters |
| Ship Method | UPS Box 1 = 48"W x 12"D x 5"H Box 2 = 64"W x 35"D x 3"H |
| Shipping Weight | Box 1 = 61 lbs. Box 2 = 42 lbs. |
| Meets ANSI/BIFMA Standards | Yes |
| Assembly Required | Yes |



**To Order, Call Your
Sales Representative
or 800-323-4656**