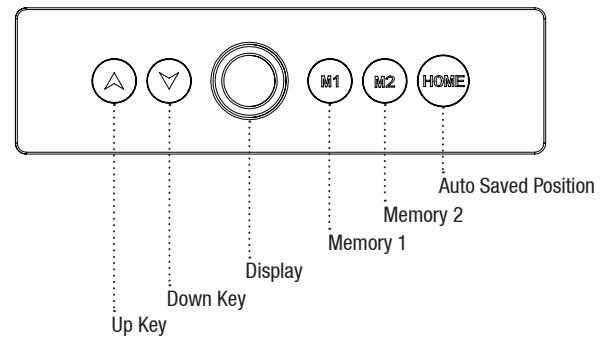
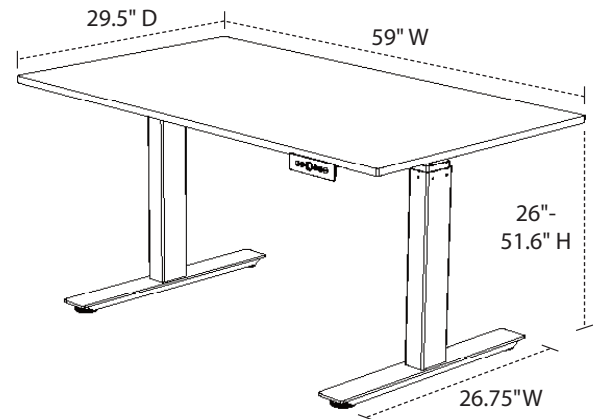


# STANDE-60-BK/DW 3-STAGE DUAL MOTOR ELECTRIC STAND UP DESK

## Product Specifications

Item Number	STANDE-60-BK/DW
Desktop Color	Dark Walnut
Frame Color	Black
Table Material	Melamine with PVC edge banding
Frame	Steel
Electric Type	Dual Motors
Power Cord	9'
Noise Level	40 db
Full Dimensions	59" W x 29.5" D x 26" – 51.6" H
Table Dimensions	59" W x 29.5" D x 0.75" H
Adjustable Height Range	Between 26" – 51.6" H
Speed	1.2" per second
Anti-collision Technology	Yes
Stage of Each Leg	3 Stage
Actual Weight	124 lbs.
Weight Capacity	350 lbs.
Lift Capacity	265 lbs.
Glides	Furniture glides
Ship Method	Ground Box 1 = Frame Box (42" x 11" x 13") Box 2 = Top Box (64" x 35" x 3")
Shipping Weight	Box 1 = Frame Box (90 lbs.) Box 2 = Top Box (42 lbs.)
Meets ANSI/BIFMA Standards	Yes



**To Order, Call Your  
Sales Representative  
or 800-323-4656**