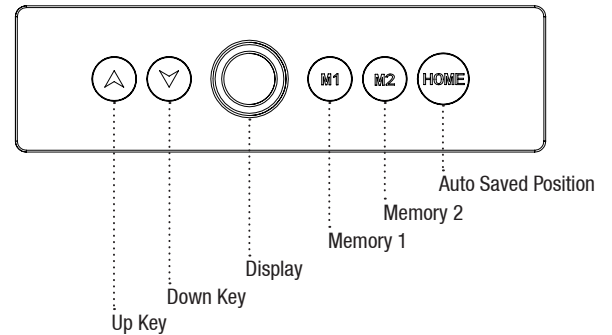
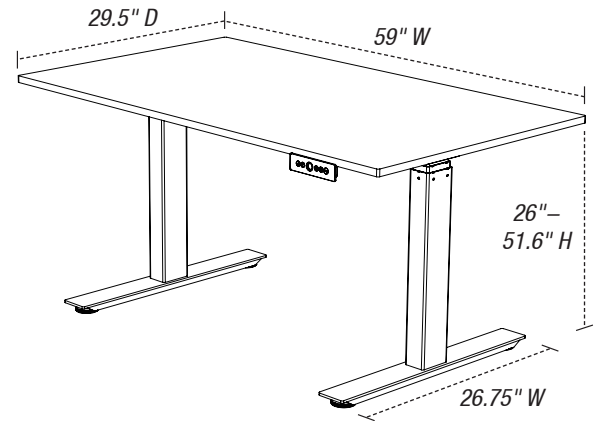


# STANDE-60-BK/BO 3-STAGE DUAL MOTOR ELECTRIC STAND UP DESK

## Product Specifications

<b>Item Number</b>	STANDE-60-BK/BO
<b>Desktop Color</b>	Black Oak
<b>Frame Color</b>	Black
<b>Table Material</b>	Melamine with PVC edge banding
<b>Frame</b>	Steel
<b>Electric Type</b>	Dual Motors
<b>Power Cord</b>	9'
<b>Noise Level</b>	40 db
<b>Full Dimensions</b>	59" W x 29.5" D x 26" – 51.6" H
<b>Table Dimensions</b>	59" W x 29.5" D x 0.625" H
<b>Adjustable Height Range</b>	Between 26" – 51.6" H
<b>Speed</b>	1.2" per second
<b>Anti-collision Technology</b>	Yes
<b>Stage of Each Leg</b>	3 Stage
<b>Actual Weight</b>	127 lbs.
<b>Weight Capacity</b>	350 lbs.
<b>Lift Capacity</b>	265 lbs.
<b>Glides</b>	Furniture glides
<b>Ship Method</b>	Ground or Truck Box 1 = Frame Box (43" x 11" x 13") Box 2 = Top Box (64" x 35" x 3")
<b>Shipping Weight</b>	Box 1 = Frame Box (95 lbs.) Box 2 = Top Box (44 lbs.)
<b>Meets ANSI/BIFMA Standards</b>	Yes



**To Order, Call Your  
Sales Representative  
or 800-323-4656**