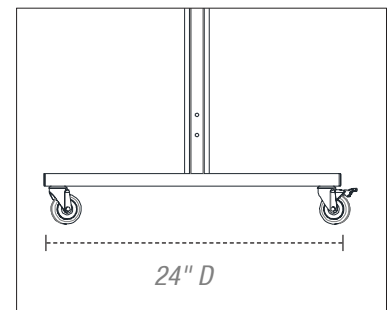
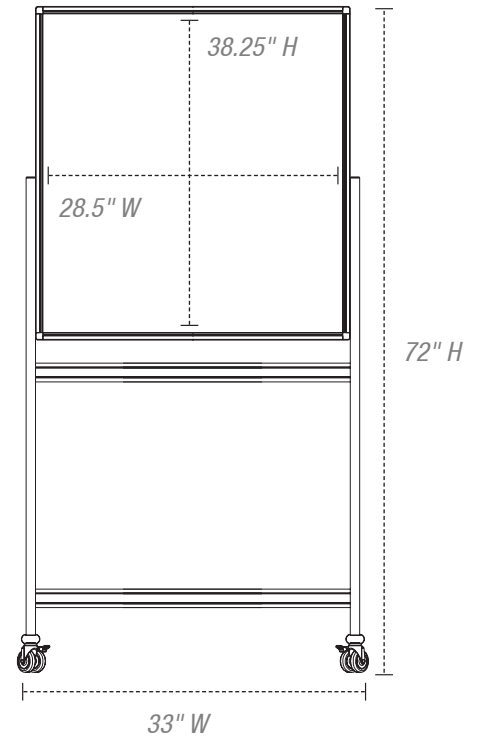


# MMGB3040 – DOUBLE-SIDED MOBILE MAGNETIC GLASS MARKER BOARDS

## Product Specifications

<b>Item Number</b>	MMGB3040
<b>Material</b>	Painted Glass
<b>Frame</b>	Aluminum; .75" edging
<b>Surface Type</b>	Magnetic Glass
<b>Full Dimensions</b>	33" W x 24" D x 72" H
<b>Board Dimensions</b>	28.5" W x 38.25" H
<b>Base Dimensions</b>	33" W x 24" D
<b>Tray Length</b>	18" W
<b>Casters (4)</b>	3" rollerblade-style; two casters include locking brakes
<b>Actual Weight</b>	57 lbs.
<b>Shipping Method</b>	Freight
<b>Shipping Carton Dims</b>	55"W x 48"D x 4"H
<b>Shipping Weight</b>	68 lbs.
<b>Assembly Required</b>	Yes



**To Order, Call Your  
Sales Representative  
or 800-323-4656**