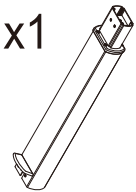

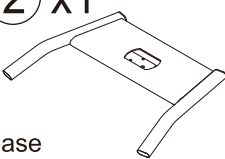
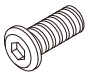
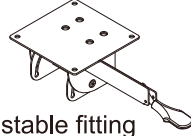

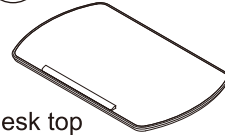
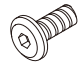








<p>① x1</p>  <p>pillar</p>	<p>Ⓐ x4</p>  <p>washers</p>
<p>② x1</p>  <p>base</p>	<p>Ⓑ x2</p>  <p>screws ( M8x19mm )</p>
<p>③ x1</p>  <p>adjustable fitting</p>	<p>Ⓒ x10</p>  <p>screws ( M5x12mm )</p>
<p>④ x1</p>  <p>desk top</p>	<p>Ⓓ x4</p>  <p>screws ( 1/4"x15mm )</p>
<p>⑤ x2</p>  <p>outer plug for legs</p>	<p>Ⓔ x1</p>  <p>spanner</p>
<p>⑥ x2</p>  <p>adjustable pads</p>	<p>Ⓕ x1</p>  <p>hex key ( 4mm )</p>
<p>⑦ x2</p>  <p>casters</p>	<p>Ⓖ x1</p>  <p>hex key ( 5mm )</p>

