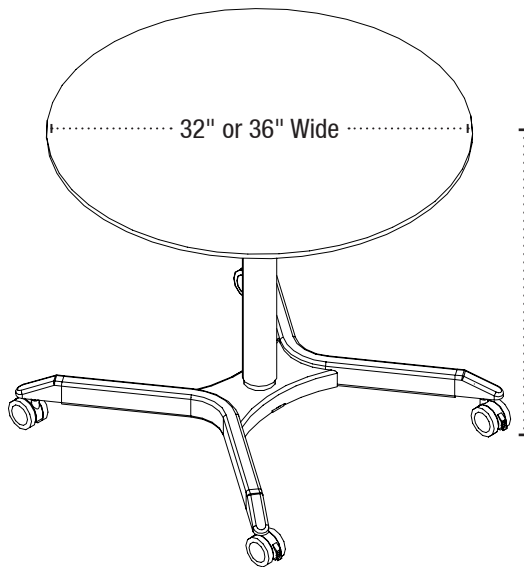
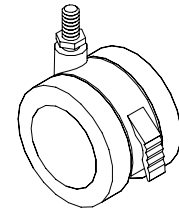


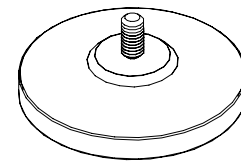
LX-PNADJ-32RD | LX-PNADJ-36RD PNEUMATIC HEIGHT ADJUSTABLE ROUND CAFÉ TABLES



40" H with glides
42.4" H with casters



Casters



Glides

Product Specifications

Item Number	LX-PNADJ-32RD
Dimensions with Glides	31.5"W x 25.2" – 40"H
Dimensions with Casters	31.5"W x 27.6" – 42.4"H
Tabletop Dimensions	31.5"W x 1"H
Base Dimensions	26" x 25.7"
Tabletop Make	MDF with polyurethane paint on top and UV painting on back
Leg/Base Make	Steel
Height Adjustable Mechanism	Air Cylinder
Height Adjustable Range	25.2" – 40"H with glides; 27.6" – 42.4"H with casters
Actual Weight	42.6 lbs.
Weight Capacity	110 lbs.
Lift Capacity	11 lbs.
Shipping Method	Ground
Shipping Weight	45 lbs.
Shipping Cart Dims	35" x 34" x 9"
Assembly Required	Yes

Item Number	LX-PNADJ-36RD
Dimensions with Glides	36"W x 25.2" – 40"H
Dimensions with Casters	36"W x 27.6" – 42.4"H
Tabletop Dimensions	36"W x 1"H
Base Dimensions	29.8" x 28.4"
Tabletop Make	MDF with polyurethane paint on top and UV painting on back
Leg/Base Make	Steel
Height Adjustable Mechanism	Air Cylinder
Height Adjustable Range	25.2" – 40"H with glides; 27.6" – 42.4"H with casters
Actual Weight	51.4 lbs.
Weight Capacity	110 lbs.
Lift Capacity	11 lbs.
Shipping Method	Ground
Shipping Weight	60 lbs.
Shipping Cart Dims	40" x 38" x 9"
Assembly Required	Yes