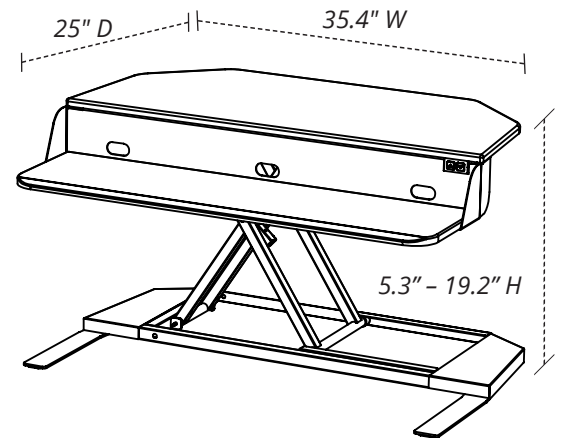


# LVLUP EPRO CNR

## Electric Level Corner Up Pro Standing Desk Converter

### Product Specifications

Item Number	LVLUP EPRO CNR
Desktop Color	Black
Frame Color	Black
Desktop Materials	Medium Density Fiberboard (MDF) w/ Polyvinyl Chloride (PVC)
Frame Material	Steel
Overall Dimensions	35.4" W x 25" D x 5.3" - 19.2" H
Top Shelf Dimensions	35.4" W x 15.6" D
Lower Shelf Dimensions	35.4" W x 9.45" D
Distance Between Top & Lower Shelf	4.25"
Height Adjustment Range	Between 5.3" - 19.2" H
Height Adjustment Mechanism	Linear Actuator
Speed	12 seconds/up, 12 seconds/down (without load)
Actual Weight	50 lbs.
Weight Capacity	44 lbs.
Lift Capacity	29 lbs.
Speed Power Cord Length	10"
Ship Method	Ground
Shipping Weight	57 lbs.
Shipping Carton Dims	39.4" x 29.1" x 6.7"
Meets ANSI/BIFMA Standards	Yes
Assembly Required	No



**To Order, Call Your  
Sales Representative  
or 800-323-4656**