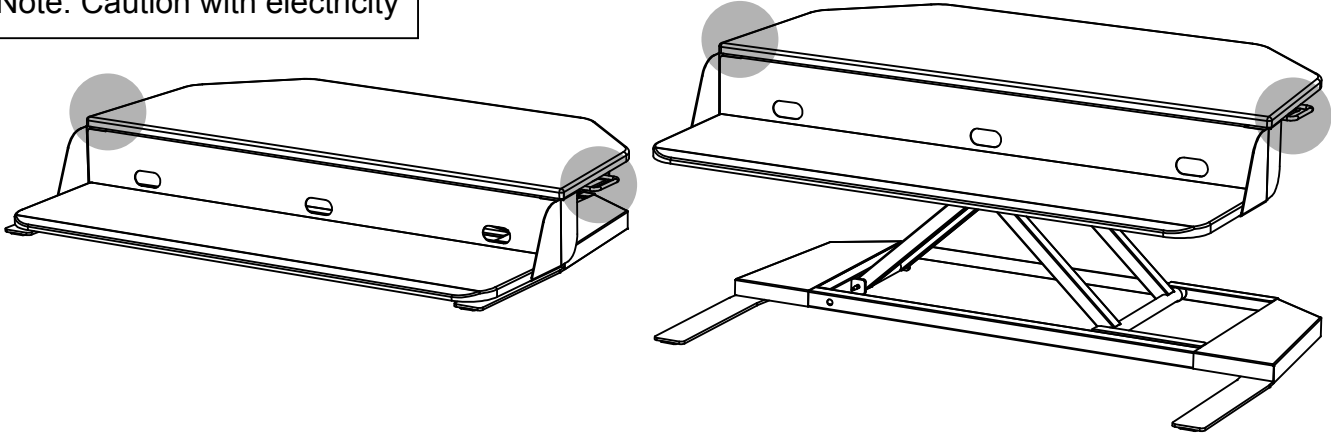
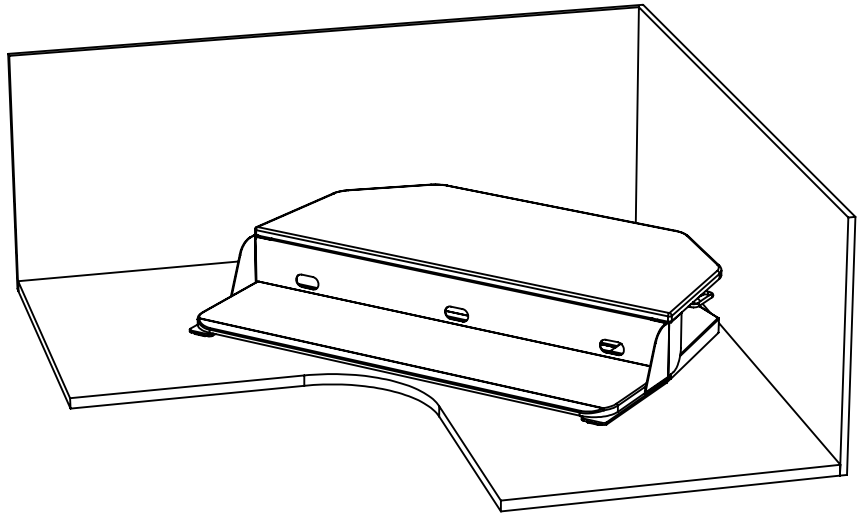


Note: Caution with electricity



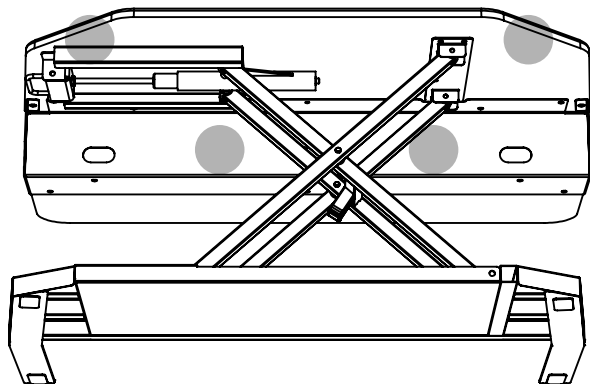
Step 1: Squeeze the handle on the underside to raise the unit. Lift with hands on both sides.

Note: Two people required



Step 2: With the help of a second person, place the unit on the intended surface.

Note: Choose two locations



Step 3: Attach the provided cable clips on the underside of the unit. Place items on the desk and run cables through the clips. Check cables for slack and pinch points.

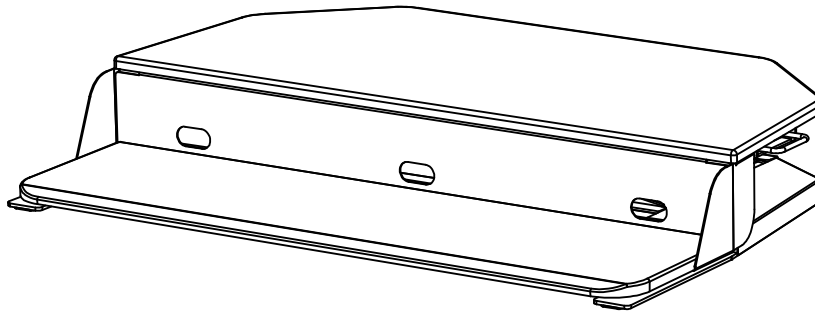
Questions or concerns? Contact us directly!

1-800-323-4656

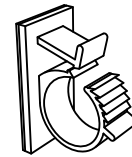
CustomerService@LuxorFurn.com



INCLUDED



X1



X2

IMPORTANT SAFETY INSTRUCTIONS

Weight capacity - Confirm the intended surface can support the load of the desk (22kg (48lbs)) + any items that will go onto the desk. The desk is designed to easily raise and lower (13kg (29lbs)) and max weight capacity of 18kg (40lbs).

Assistance - Two people are required during the initial setup or when moving the desk.

Setup - During the initial setup, raise the desk to the tallest setting before placing items on the desk surface. Check cables for slack. Without slack, items may be pulled off the desk surface.

Desktop items - To prevent items from falling off the desk surface, do not place items near the edges.

Cables - Keep cables clear of the support structure.

Moving locations - If moving the desk to a new location, remove the items from the desk surface.

Spring assistance - This desk raises and lowers with spring assistance. This spring is under high tension. Do not open the plastic covers, do not touch or remove the spring.

Pinch points - Keep hands off and away from the support structure. Pinch points are created during operation.

Failure to follow these instructions may result in equipment damage or serious personal injury.