

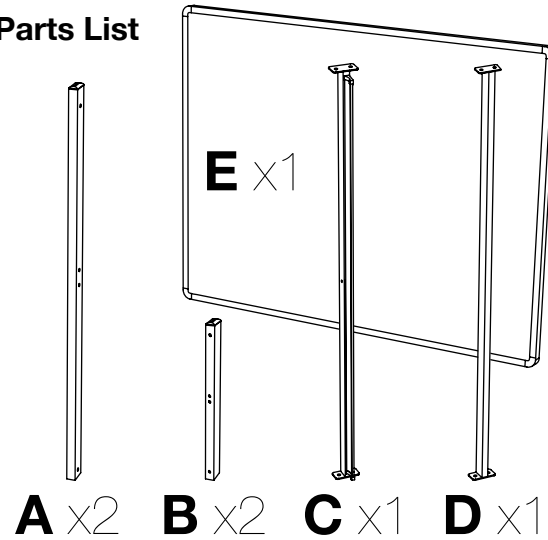
# Mobile Board Instructions

03/01/13

**Note:** After assembly, remove the protective film from both sides of the board.

**Cleaning Tip:** A mild dish washing liquid can be used with a soft cloth to clean the writing surface.

## Parts List



## Tools Required

- Additional Wrench

