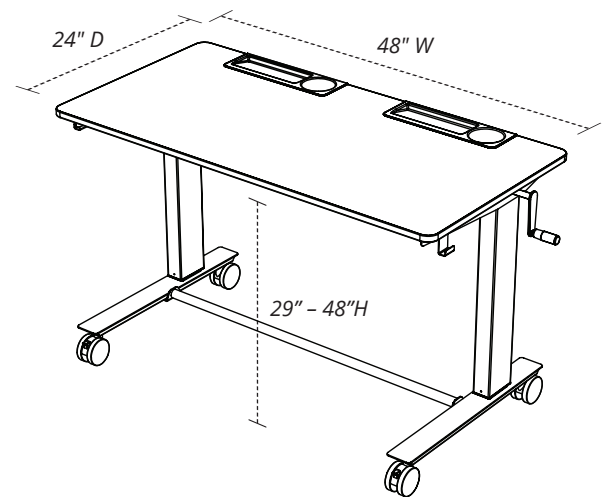


2-STUDENT-C

2-STUDENT SIT STAND DESK WITH CRANK HANDLE

Product Specifications

Item Number	2-STUDENT-C
Dimensions	48"W x 24"D x 29" – 48"H
Frame Materials	Powder coated steel, medium grey
Desktop Materials	MDF Core with melamine top and PVC edge banding
Desktop Finish	Gray
Height Adjustment Mechanism	Crank Handle
Height Adjustment Increments	29" to 48"
Actual Weight	72.75 lbs.
Weight Capacity	176.5 lbs.
Casters	3" casters; two with locking brake
Additional Features	Two powder coated steel backpack hooks, 2 ABS cup/pencil holders, one footrest bar
Shipping Method	Ground
Shipping Carton Dims	50" x 25.5" x 8"
Shipping Weight	79.5 lbs.
Meets ANSI/BIFMA, CPSIA Standards	Yes
Assembly Required	Yes



To Order, Call Your
Sales Representative
or 800-323-4656